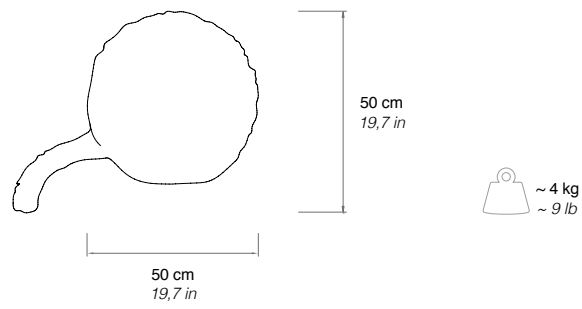


1972

RON RON

Marion Baruch



Object of company in soft polyurethane upholstered with premium eco-fur.